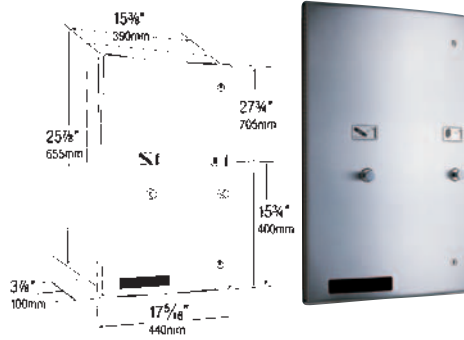


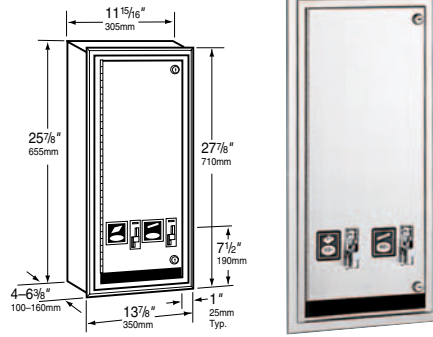
Recessed



B-43500 CONTURA SERIES SANITARY NAPKIN/ TAMPON VENDOR Satin-finish stainless steel. Dispenses 31 napkins and 22 tampons. Single-coin mechanisms convertible for 25¢-operation, or specify Free-operation (no coin) mechanisms. Two flush tumbler locks. Separate lock and key for coin box. Rough Wall Opening: 15 3/4" W, 26 1/4" H, 4" min. depth (400 x 665 x 102mm). Av. Mtg. Ht.: 69-73" (1755-1855mm) to top of unit; Barrier-Free, 52" (1320mm). Patented.

B-435009 Similar to B-43500, but with stainless steel skirt for surface mounting. Single coin mechanism for 25¢-operation. Patented.

B-43500X2 Similar to B-43500, but with double coin mechanism convertible for 50¢-operation. Patented.



B-352 25 CLASSIC SERIES SANITARY NAPKIN/ TAMPON VENDOR For budget installations. Satin-finish stainless steel. Seamless beveled flange. Dispenses 30 napkins and 27 tampons. Single-coin mechanisms for 25¢-operation. Adjustable flange allows semi- or fully-recessed installation. Plastic twist handles. Rough Wall Opening: 12 1/2" W, 26 3/8" H, 4-6 1/2" min. depth (320 x 670 x 102-165mm). Av. Mtg. Ht.: 75-79" (1905-2005mm) to top of unit; Barrier-Free, 61 1/2" (1560mm).

B-282 25 Similar to B-352 25, but with cabinet for surface-mounted installation. Unit 11 1/8" W, 25 7/8" H, 6 1/2" D (300 x 655 x 165mm).

DESIGNER'S NOTES

How to specify sanitary napkin/tampon vendors with desired coin denomination:

1. Select model number of vendor required.
2. Add coin denomination required (25¢ for models with single-coin mechanisms, 50¢ for models with double-coin mechanisms, and Free for no-coin mechanisms). See product descriptions for coin denominations available.

Example: To order recessed sanitary napkin/tampon vendors with double-coin mechanisms and 50¢-operation, specify B-3500X2 50.

B-2800, B-3500, and B-43500 Series sanitary napkin/tampon vendors are convertible in the field to any Bobrick standard coinage (single, double or complimentary) with the purchase of a Coin Plate Replacement Kit. Contact your Bobrick Representative for full details.

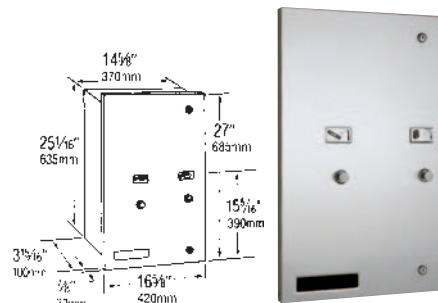
Coin-mechanism pull knobs meet Barrier-Free standards: operable with one hand and less than 5 pounds of force (22.2 N), with no twisting motion required.

All TrimLine Series vendor doors have 90° returns for maximum rigidity.

All vendor doors are 18-gauge (1.2mm), secured with concealed full-length stainless steel hinge and replaceable in the field.

BARRIER-FREE WASHROOM GUIDELINES

VENDORS. Buttons and knobs should be operable with one hand and without tight grasping, pinching, or twisting of the wrist. Operation of pull knobs should not require more than 5 pounds of force (22.2 N).



B-3500 TRIMLINE SERIES SANITARY NAPKIN/ TAMPON VENDOR Satin-finish stainless steel. Door has 90° return, conceals flange. Dispenses 31 napkins and 22 tampons. Single-coin mechanisms convertible for 25¢-operation, or specify Free-operation (no-coin) mechanisms. Two tumbler locks. Separate lock and key for coin box. Rough Wall Opening: 15 1/8" W, 25 1/2" H, 4" min. depth (385 x 650 x 102mm). Av. Mtg. Ht.: 71-75" (1805-1905mm) to top of unit; Barrier-Free, 51" (1295mm). Patented.

B-3500X2 Similar to B-3500, but with double-coin mechanisms convertible for 50¢-operation. Patented.

Surface Mounted

B-2800 TRIMLINE SERIES SANITARY NAPKIN/ TAMPON VENDOR Satin-finish stainless steel. Similar to B-3500, but with cabinet for surface-mounted installation. Single-coin mechanisms convertible for 25¢-operation, or specify Free-operation (no-coin) mechanisms. Unit 14 7/8" W, 25 3/8" H, 4 3/4" D (380 x 645 x 120mm). Patented.



B-2800X2 Similar to B-2800, but with double-coin mechanisms convertible for 50¢-operation. Patented.

