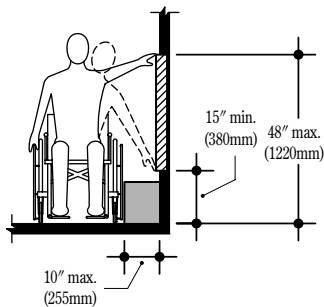


KEY CHANGES IN THE REVISED AMERICANS WITH DISABILITIES ACT ACCESSIBILITIES GUIDELINES (ADAAG) FOR PUBLIC WASHROOM DESIGN.

The “new” or “revised” ADAAG issued by the Access Board and published in the Federal Register on July 23rd, 2004 is now called the ADA-ABA Accessibility Guidelines as it now also incorporates requirements for the Architectural Barriers Act (ABA). The ABA applies to facilities designed, built, altered, or leased with Federal funds. Until this document is adopted as the enforceable ADA Standards for Accessible Design, the present ADAAG stand as the most authoritative design compliance document for the Americans with Disabilities Act. However, where the ADA-ABA Accessibility Guidelines exceed this document, it is recommended that it be implemented.

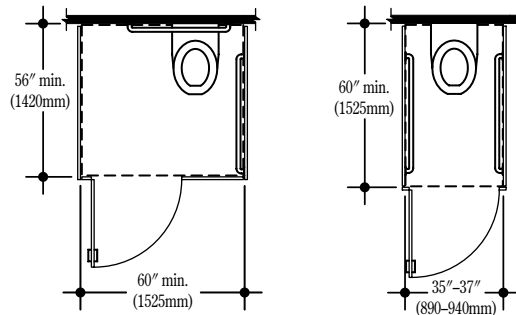
This Addendum supplements Bobrick’s Barrier-Free Washroom Planning Guide and covers key changes of relevance to public washroom design and is provided to give an overview of how the Guidelines are changing from the previous version. Refer to the complete ADA-ABA Accessibility Guidelines for guidance. Copies can be downloaded in PDF format at www.access-board.gov/ada-aba.htm. Figures shown are from the ADA-ABA Accessibility Guidelines and were developed by the Access Board.

REACH RANGE



Side reach is no longer 54” (1370mm) maximum, as in the ICC/ANSI 98 Standard; it is now the same as the forward reach of 48” (1220mm) maximum.

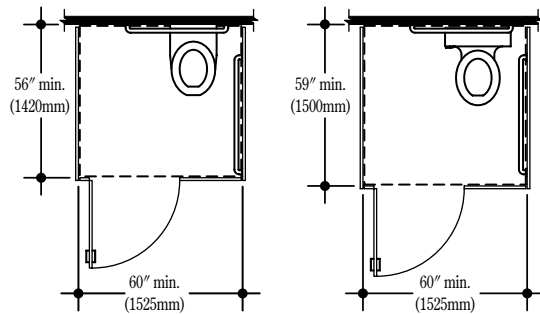
TOILET COMPARTMENTS



Wheelchair Accessible Toilet Compartment

Ambulatory Accessible Toilet Compartment

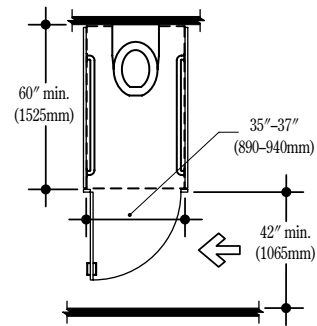
Alternate toilet compartment layouts have been dropped. Like the ICC/ANSI 98 Standard there are now only two compartment designs that are named and shown, the *Wheelchair Accessible Toilet Compartment* and the *Ambulatory Accessible Toilet Compartment*.



Adult Wall Hung Water Closet

Adult Floor Mounted Water Closet And Children's Water Closet

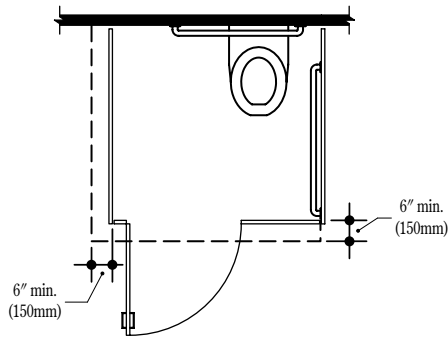
Wheelchair accessible compartments are now equivalent to the former standard compartment layout.



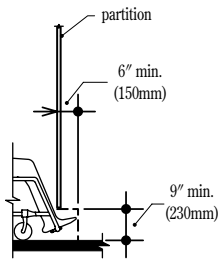
Ambulatory Accessible Compartment

The *Ambulatory Accessible Compartment* serves the same purpose as the former “six or more” walk-in compartment except it is more defined with a minimum depth of 60” (1525mm) and a range of 35” to 37” (890-940mm) for width instead of a 36” (915mm) absolute dimension.

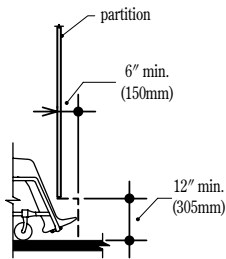
TOILET COMPARTMENT TOE CLEARANCES



Plan



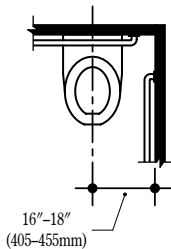
Elevation
Adult



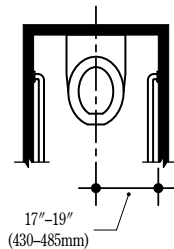
Elevation
Children

As in the ICC/ANSI 98 Standard, the toe space required in wheelchair accessible toilet compartments less than 60" (1525mm) deep must now extend at least 6" (150mm) beyond the compartment-side face of the partition.

TOILET FIXTURE LOCATIONS



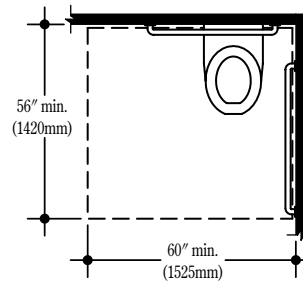
Wheelchair
Accessible
Water Closets



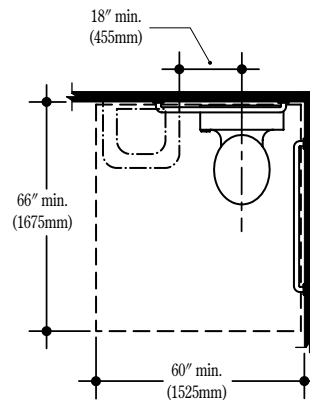
Ambulatory
Accessible
Water Closets

The centerlines of toilet fixtures are no longer required to be set at an absolute dimension of 18" (455mm) from sidewalls and partitions. Now a range of 16" to 18" (405-455mm) is given as in the ICC/ANSI 98 Standard. For *Ambulatory Accessible Water Closets* a range of 17" to 19" (430-485mm) is now listed.

CLEAR FLOOR SPACE FOR TOILETS

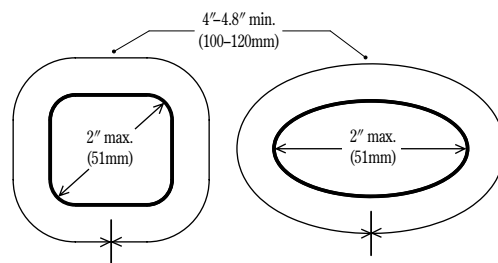


Like the ICC/ANSI 98 Standard, there is now only one clear floor space, 56" (1420mm) minimum by 60" (1525mm) minimum, for accessible toilets not located in compartments. The other two clear floor spaces for a forward and a side approach have been eliminated.



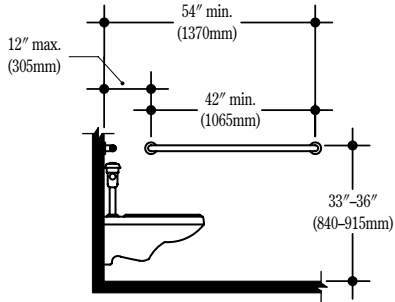
Except in residential dwelling units, a lavatory with a knee space can no longer overhang the clear floor space for an accessible toilet. Note that the clear floor space in this exception must be extended out 10" (255mm) for a total depth of 66" (1675mm).

GRAB BARS

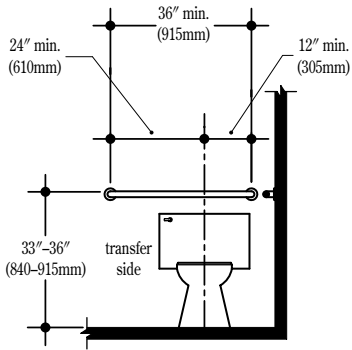


Grab bar diameter can be as much as 2" (51mm), previously 1 1/2" (38mm) maximum, and non-circular profiles such as ovals and rounded rectangles are now allowed. Also note that the maximum/minimum mounting heights of grab bars are now set at the top of the gripping surface instead of the centerline of the bar as before (except for the lower grab bar on the backwall of bathtubs).

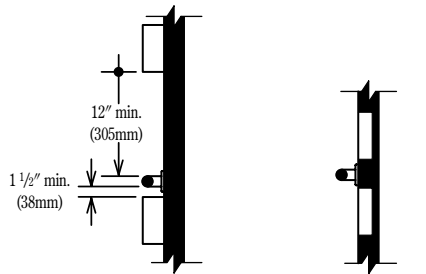
GRAB BARS (Cont'd)



As in the ICC/ANSI 98 Standard, the grab bar on the sidewall next to an accessible toilet in a compartment must be longer by 2" (51mm), now 42" (1065mm) minimum with the far end set at 54" (1370mm) minimum from the rear wall. Grab bar length and location are now the same regardless of whether the installation is in or outside of a toilet compartment.



The location of the 36" (915mm) grab bar required to be mounted on the rear wall behind an accessible toilet is now more clearly defined with the inclusion of a 24" (610mm) minimum requirement to one side of the fixture centerline. Grab bar length and location are now the same regardless of whether the installation is in or outside of a toilet compartment.

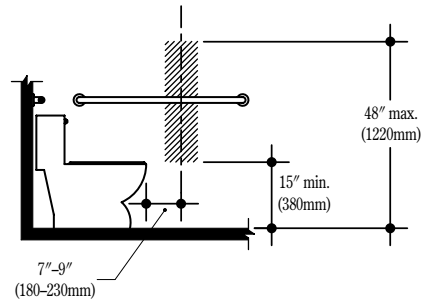


Projecting Objects

Recessed Objects

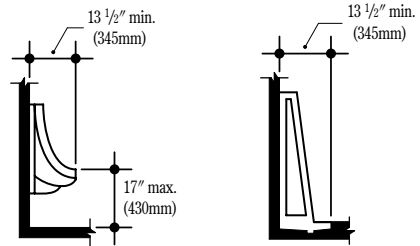
Additional specifications are now given for the location of objects that protrude and recess above and below horizontally mounted grab bars.

TOILET PAPER DISPENSERS



The location of the toilet paper dispenser has changed and is now defined by its location to the front of the toilet fixture and a minimum/maximum range above the finished floor.

URINALS

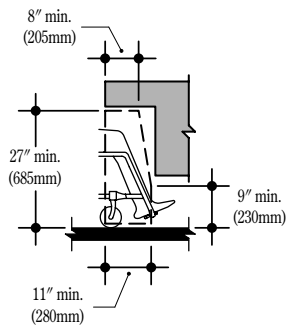


Wall Hung Type

Stall Type

Accessible urinals now must have an elongated rim of at least 13 1/2" (345mm).

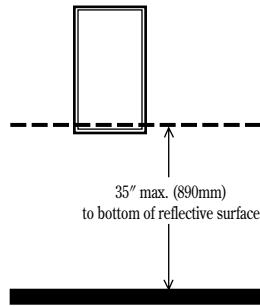
LAVATORIES



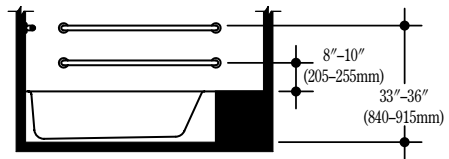
Elevation

The 29" (735mm) minimum dimension to the bottom of the apron of a lavatory or counter has been eliminated. Like the ICC/ANSI 98 Standard, the same knee space requirements are now applied to several different building elements in addition to lavatories and sinks.

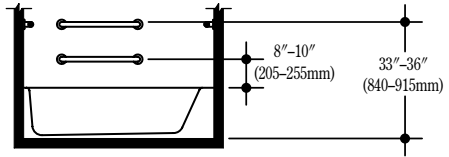
MIRRORS



One mirror not located over a lavatory must now be mounted with the bottom edge of the reflecting surface no more than 35" (890mm) above the finished floor.



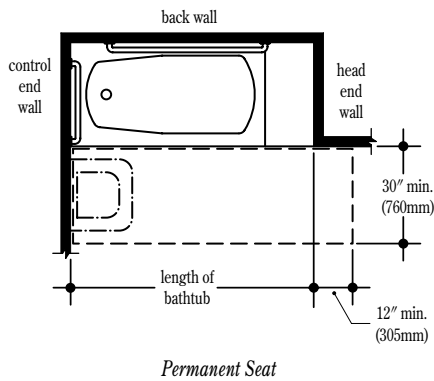
*Elevation
Bathtub With Permanent Seat*



*Elevation
Bathtub With Removable In-Tub Seat*

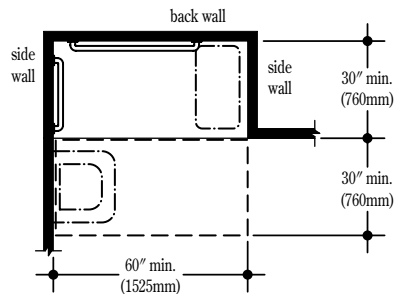
The lower grab bar on the back wall of bathtubs is no longer required to be set at an absolute dimension of 9" (230mm) and can now be located within a range of 8" to 10" (205-255mm) instead.

BATHTUBS

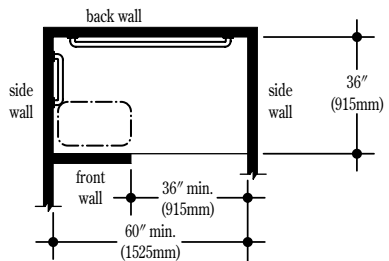
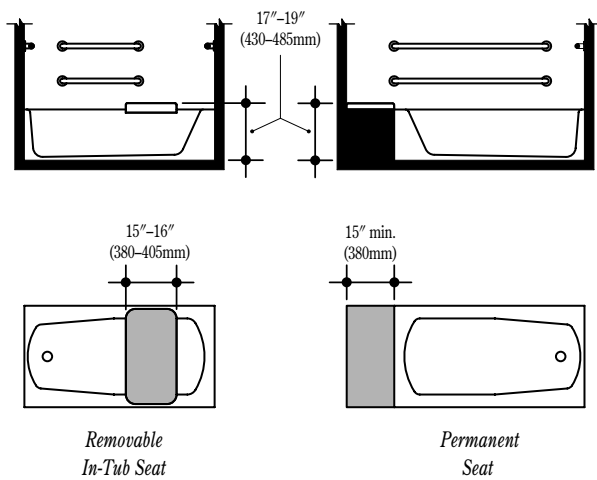


As in the ICC/ANSI 98 Standard, the clear floor space for fixtures with permanent seats at the head of the bathtub must now extend at least 12" (305mm) beyond the back of the built-in seat.

ROLL-IN TYPE SHOWER COMPARTMENTS



Standard Roll-In Type Shower Compartment

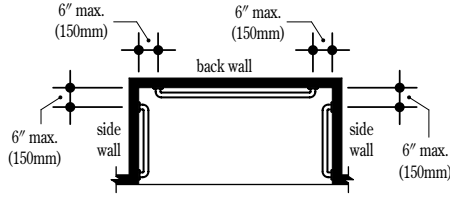


Alternate Roll-In Type Shower Compartment

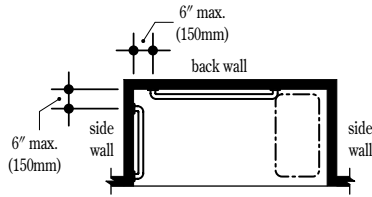
There are now more detailed specifications for the design of bathtub seats. Seat width and height are defined and consistent with the ICC/ANSI 98 Standard.

The same basic roll-in shower designs remain but have now been revised. Like the ICC/ANSI 98 Standard, there is the *Standard Roll-In Type Shower Compartment* with and without a seat and the *Alternate Roll-In Type Shower Compartment*. The alternate compartment used to be one of the roll-in shower designs with a folding seat for transient lodging facilities. Roll-in showers with seats are no longer restricted to transient lodging facilities and can be considered a viable alternative for any roll-in compartment application.

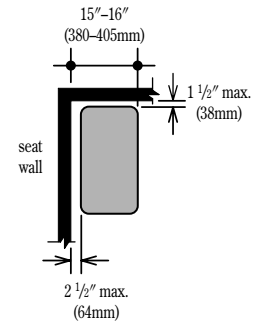
ROLL-IN TYPE SHOWER COMPARTMENTS (Cont'd)



Without Seat

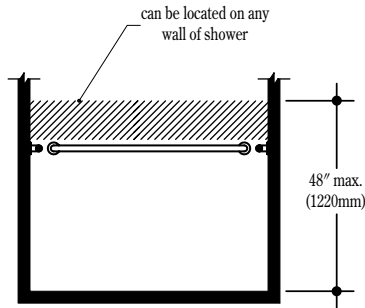


With Seat

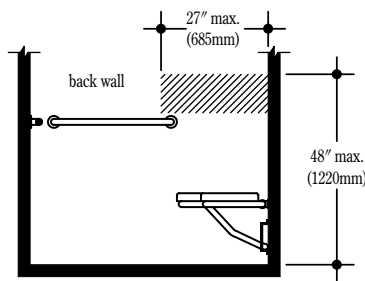


Like the ICC/ANSI 98, *Roll-In Type Shower Compartment* with seats can now use a rectangular seat design as well as the previously required "L"-shaped design.

While grab bar locations in *Standard Roll-In Type Shower Compartments* remain essentially the same, more detail has now been added. Like the ICC/ANSI 98 Standard, the end placements of non-continuous "straight" bars are now more defined with 6" (150mm) maximum dimensions from a side or the back wall of the compartment.

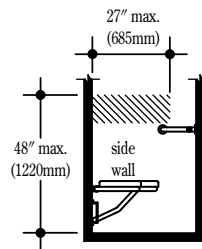


Without Seat

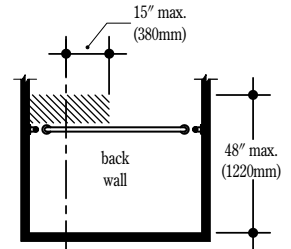


With Seat

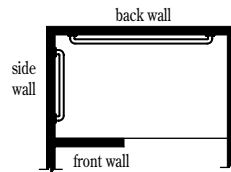
Alternate Roll-In Type Shower Compartment Control Locations



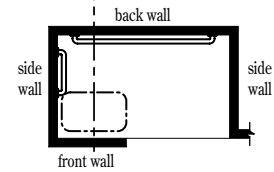
With Seat
(Elevation)



With Seat
(Elevation)

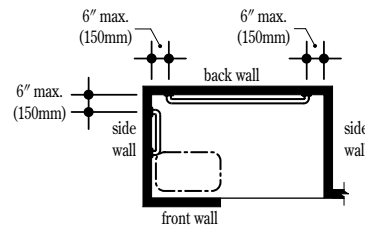


Without Seat
(Plan)



With Seat
(Plan)

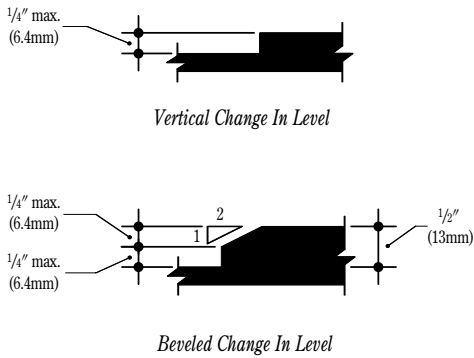
Alternate Roll-In Type Shower Compartment Grab Bar Locations



Control and grab bar locations in the *Alternate Roll-In Type Shower Compartment* are now more clearly defined than in the previous iteration of this design when it was limited only to transient lodging facilities. Specific locations for control and grab bar placements are now shown in plan and elevation views.

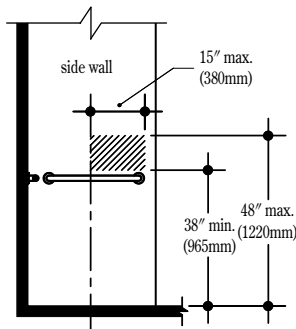
There are now some differences in control locations between *Standard Roll-In Type Shower Compartments* with and without seats. In compartments without seats the controls can be located on any wall of the shower within the specified height range. In compartments with seats the control must be located on the back wall above the seat and no more than 27" (685mm) from the adjacent side wall. Note that the 38" (965mm) maximum lower height dimension is no longer required, however the control location must still be above the grab bar.

ROLL-IN TYPE SHOWER COMPARTMENT THRESHOLDS



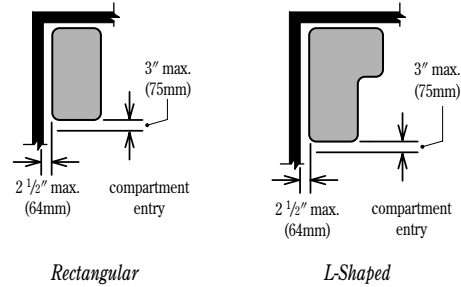
Additional clarity is now provided for the design of roll-in type shower thresholds. Similar to ICC/ANSI 98, thresholds are now permitted to be as high as a $\frac{1}{2}''$ (13mm) provided they conform to the change of level requirements for accessible routes. Note that thresholds higher than $\frac{1}{4}''$ (6.4mm) will need to incorporate a bevel no steeper than 1 in 2.

TRANSFER TYPE SHOWER COMPARTMENTS



The 36" x 36" (915 x 915mm) transfer shower design essentially remains the same and as in the ICC/ANSI 98 Standard is now called the *Transfer Type Shower Compartment*. The only change is that the outer edge of the control location is now required to be no more than 15" (380mm) from the centerline of the compartment toward the unit entry side.

SHOWER SEATS



There are now some small but important adjustments in the dimensions for shower seats for both roll-in and transfer compartments. They include a 3" (75mm) maximum space between the seat edge and compartment entry opening and a larger permissible 2 $\frac{1}{2}''$ (64mm) maximum gap between the seat and seat wall. These changes are consistent with the ICC/ANSI 98 Standard.

CREDIT

We gratefully acknowledge the research and authorship of Rex J. Pace, Principal of Universal Design Solutions, LLC, Raleigh, NC, in the preparation of this Barrier-Free Washroom Planning Guide Addendum.



Los Angeles: Bobrick Washroom Equipment, Inc., 11611 Hart Street, North Hollywood, California 91605-5882
 Washroom Accessories: (818) 982-9600, FAX: 818-503-1102
 e-mail: customerservicela@bobrick.com
 Toilet Partitions: (818) 982-9070; FAX: 818-503-9287
 e-mail: lacspartitions@bobrick.com

New York: Bobrick Washroom Equipment, Inc., 200 Commerce Drive, Clifton Park, New York 12065-1350, 518/877-7444, FAX: 518-877-5029
 e-mail: customerservicenyc@bobrick.com

Jackson, TN: Bobrick Washroom Equipment, Inc., 100 Bobrick Drive, Jackson, Tennessee 38301-5625
 Washroom Accessories: (731) 424-7000, FAX: 731-424-7800
 e-mail: customerservicetn@bobrick.com
 Toilet Partitions: (731) 424-7000, FAX: 731-265-0578

Canada: Bobrick Washroom Equipment Company, 45 Rolark Drive, Scarborough, Ontario M1R 3B1, (416) 298-1611, FAX: 416-298-6351
 e-mail: customerserviceto@bobrick.com

International Sales: Bobrick Washroom Equipment, Inc., 11611 Hart Street, North Hollywood, California 91605-5882, (818) 764-1000; FAX: 818-503-9941
 e-mail: international@bobrick.com

Australia: Bobrick Washroom Equipment Pty. Ltd.
 1800-353158; FAX: 1800-221926
 e-mail: international@bobrick.com

United Kingdom: Bobrick Washroom Equipment Ltd.
 208-3661771; FAX: 208-3635794
 e-mail: uksales@bobrick.com